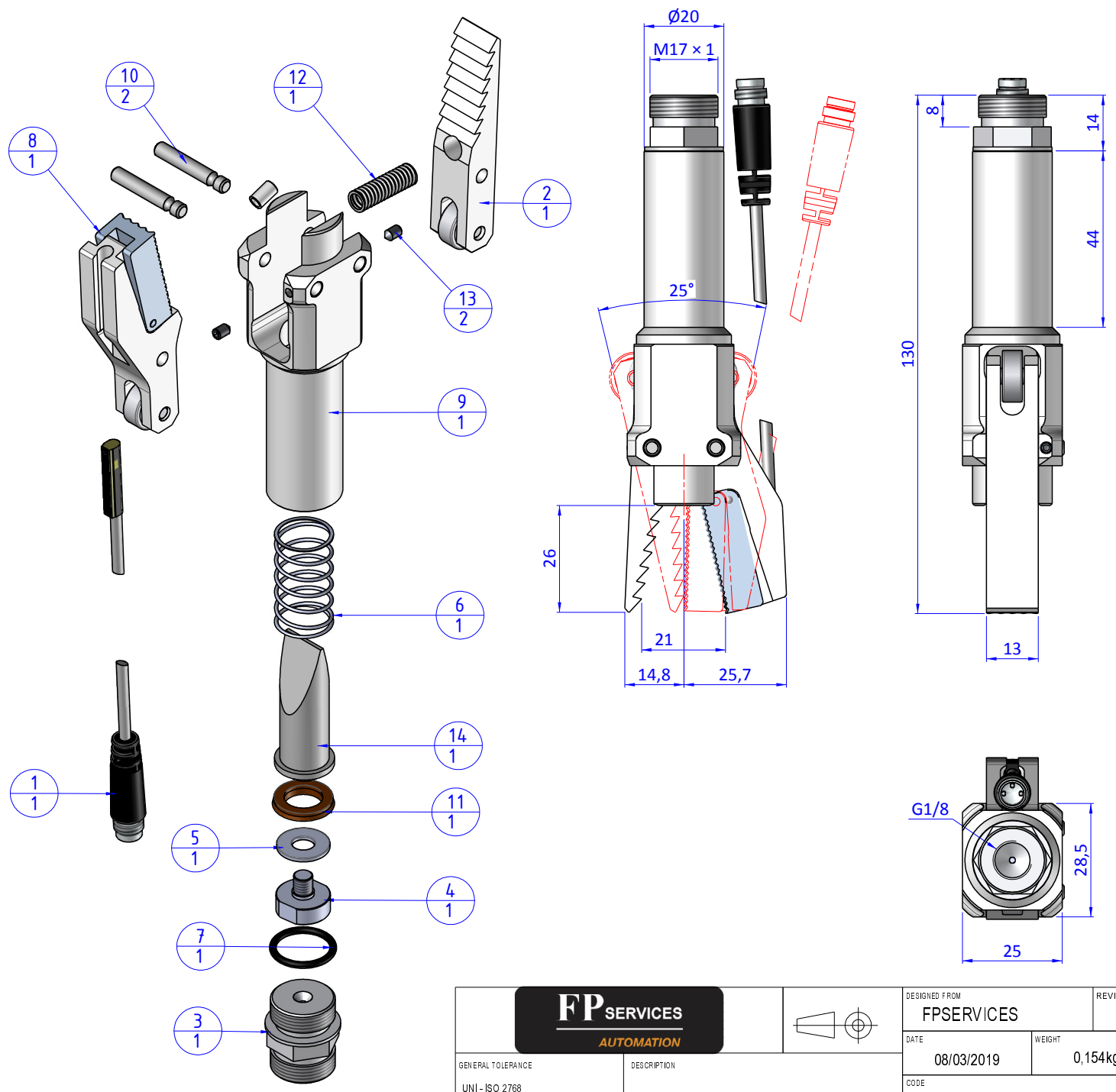


THE PROPERTY OF THE DRAWING IS ESTABLISHED BY LAW. IT IS FORBIDDEN TO PRODUCE OR SHOW IT TO THIRD PARTY, WITHOUT A WRITTEN AGREEMENT.

Item	Name	Qty.
1	KT58PM8	1
2	DD.20.169.02	1
3	GRF20.95.01	1
4	GRF20.95.03.2	1
5	GRF20.95.10	1
6	M.GRF.2095.1	1
7	OR.2056	1
8	DD.20.16M.02	1
9	PAC.2016.1	1
10	PAC.2016.5	2
11	PSP.1610255	1
12	M.6X35	1
13	V.STM3X5	2
14	DD.20.02	1



Format A3
UNI 936-76

		DESIGNED FROM		REVIEW
		FPSERVICES		A
GENERAL TOLERANCE		DATE	WEIGHT	
UNI - ISO 2768		08/03/2019	0,154kg	
CLASSE F		CODE		
		CA.PAC20.16A		CA.PAC20.16S9